

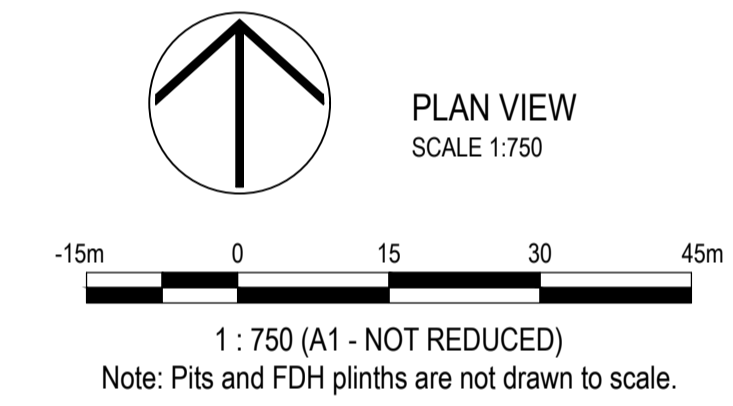


NBN CONDUIT SCHEDULE - CIVIL CONTRACTOR					
CODE	ITEM	Refer: AS/NZS 1477:2006 - Table 4.2(A)			QUANTITY (metres)
		WALL THICKNESS	MEAN OUTSIDE DIA.	MEAN INSIDE DIA.	
P20	SDU service drop - lot 58	PN12	27mm	24mm	-
P50	MDU service drop	PN12	60mm	54mm	-
P50	road crossing	PN12	60mm	54mm	-
P100	road crossing	PN9	114mm	104mm	70
P100	footpath conduits adj. retaining walls	PN9	114mm	104mm	50
Additional trenching					-

NBN CONDUIT SCHEDULE - ELECTRICAL CONTRACTOR					
CODE	ITEM	Refer: AS/NZS 1477:2006 - Table 4.2(A)			QUANTITY (metres)
		WALL THICKNESS	MEAN OUTSIDE DIA.	MEAN INSIDE DIA.	
P20	SDU service drop	PN12	27mm	24mm	164
P50	MDU service drop	PN12	60mm	54mm	-
P50	footpath	PN12	60mm	54mm	52
P100	footpath	PN9	114mm	104mm	521
P100	distribution network	PN9	114mm	104mm	-
Additional trenching					14

NBN PIT SCHEDULE - ELECTRICAL CONTRACTOR			
PIT CODE	ITEM	NOMINAL EXTERNAL DIMENSIONS	QUANTITY
2	service drop access pit	650 x 280 x 565mm	2
5	service/boundary pit (single lid)	700 x 450 x 650mm	18
6	local network connection pit (dual lid)	1360 x 555 x 650mm	3
8	distribution/local network connection pit (dual lid)	1360 x 555 x 860mm	-

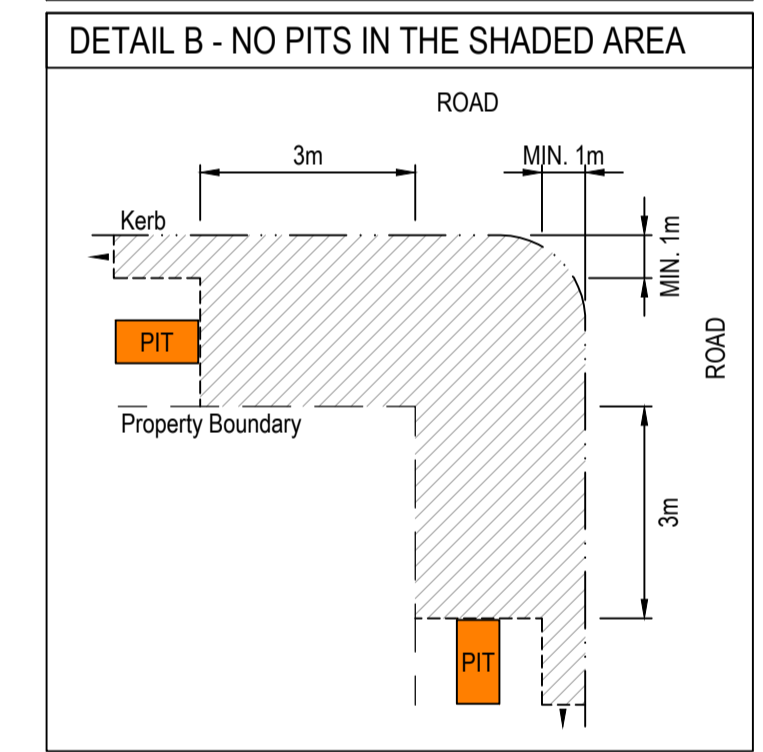
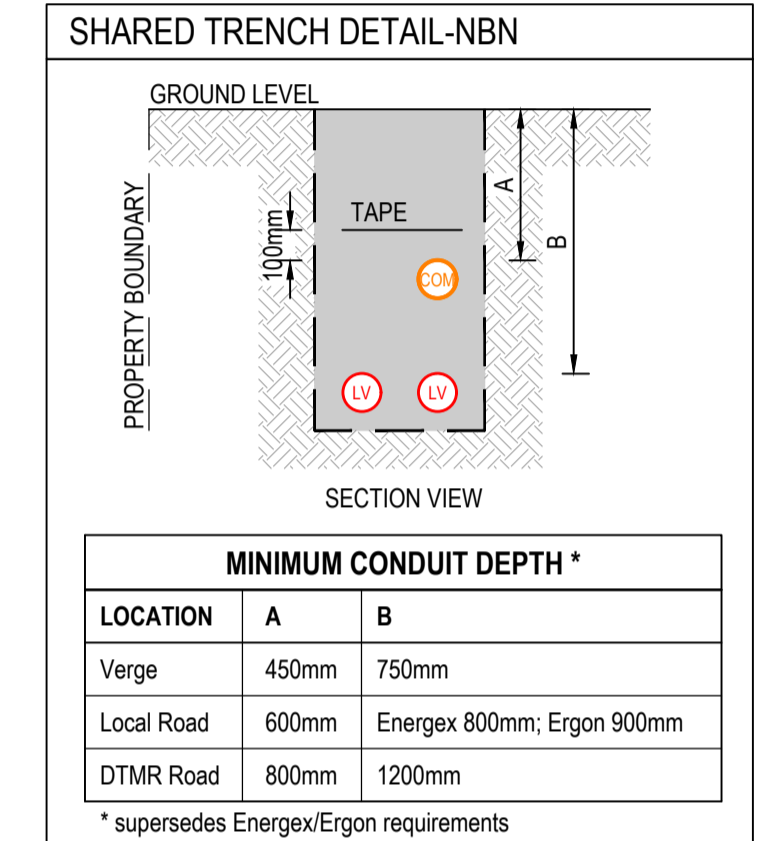
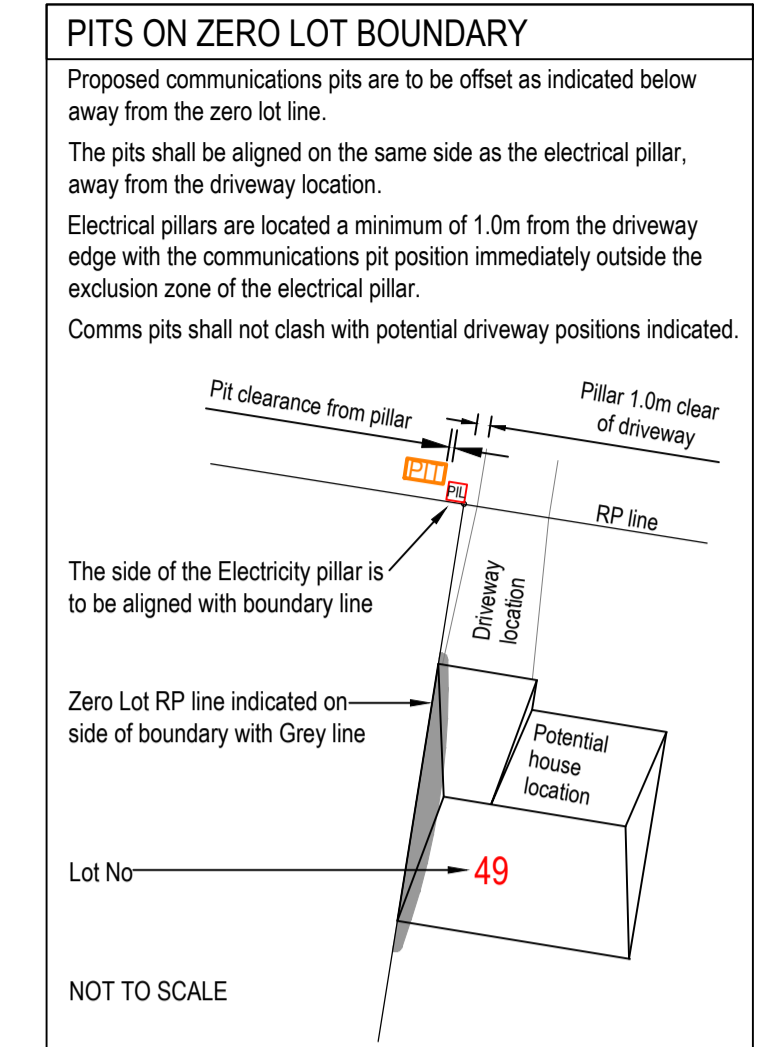
SOURCE DOCUMENTS				
CREATOR	DRAWING	DWG. NO.	REV. NO.	DATE
ROBIN RUSSELL & ASSOCIATES	ELECTRICAL	D866	B	23/08/2022
KN GROUP PTY LTD	CIVIL BASE	x19-173_BASE_FUNCTIONAL	-	21/09/2021



REVISED ISSUE

- Telecommunications infrastructure will be provided by NBN™
- NBN™ will own the conduits and pits.
- This installation shall comply with NBN-TE-CTO-194 V8.0

NOTES - NBN
 NBN conduits and pits shall be installed in compliance with NBN Co specification: NBN-TE-CTO-194 V 8.0 New Developments: Deployment of the NBN Co Conduit and Pit Network - Guidelines for Developers. This can be downloaded at: <http://www.nbnco.com.au/develop-or-plan-with-the-nbn/new-developments/design-build-install-pit-and-pipe-build-process.html>
 Additional requirements and explanatory information are contained in Robin Russell & Associates' General Specification for Installation of Electricity Reticulation and Street Lighting - Issue 'AA'.
 For details of trenching and electrical conduits, refer associated RRA works plan.
 In residential subdivisions, NBN conduits shall be laid in shared trenches, above electricity conduits. The Civil Contractor shall install road-crossing conduits and other conduits as shown (see legend).
 In commercial subdivisions, or where no electricity conduit is present, NBN conduits shall be laid on the standard telecommunications alignment, as specified.
 On State roads, the required cover of 1200mm precludes the use of shared trenches.
 The installation of white warning tape is NOT required. If conduit is not installed in a shared trench with electricity, brass "C" markers shall be installed in the kerbs directly above road-crossing conduits.
 Contractors shall not access existing Telstra pits or conduits.
 Pits shall be installed relative to the property boundary as shown, immediately outside the exclusion zone of the electricity pillar.
 The Electrical Contractor shall ascertain final verge levels from the Civil Contractor before installing conduits & pits.
 The Electrical Contractor shall give the Superintendent written notice (a) 10 business days before it anticipates achieving Practical Completion of the conduit and pit installation, and (b) on achieving Practical Completion, to allow the required notices to be given to NBN Co.
 Conduit lengths are nominal horizontal distances only. Fibre lengths shall be verified in advance by actual measurement.
 The electrical contractor shall perform mandrel testing of all telecommunications conduits, including cross-road and lead-in conduits installed by the civil contractor.



NBN PITS
 NBN PITS MUST BE INSTALLED IMMEDIATELY OUTSIDE THE EXCLUSION ZONE (ERGON 400mm & ENERGEX 600mm) OF THE ELECTRICITY PILLAR & EXACTLY 3m FROM CORNER TRUNCATIONS AS PER DETAIL B.

SITE INFORMATION	
TOTAL NUMBER OF LOTS	40
PROPERTY DESCRIPTION	LOTS 40 - 48 & 57 - 57 CANCELLING LOT 600 ON SP23626 & Lot 551 on SP142916

LEGEND: NBN CONDUITS & PITS

- Fibre Access Node (FAN) site
- Fibre Distribution Hub (FDH) site - 1m x 1m
- Proposed 100mm Main Conduit
- Proposed 50mm Lateral Conduit
- Proposed 23mm Service Drop
- Proposed length of bored conduit
- Conduits by Civil Contractor
- Proposed shared trench
- Service Drop Access Pit
- Local Network Pit Premises Connection (Houses an MPT)
- Boundary Pit Cross-Road & Other Premises Connection (No MPT)
- Local Network Connection Pit Premises Connection & Fibre Splice Closure
- Distribution / Local Network Connection Pit at entry/exit to estate; @ 250m ccs on distribution conduit
- Fibre Distribution Hub (FDH) Pit Within 5m of FDH Site
- Multi Dwelling Unit (MDU)
- Marker Post (Post to be numbered)
- Depth over alignment indicator (used with every Marker Post)
- Descriptor Box (Description of type of work & Quantity involved)
- Transformer Pad Mount / Pole Mount
- Existing Telstra conduit trench layout (Proposed conduit indicated for comms cable)
- Existing NBN 100mm conduit
- Existing Telstra P100 conduit
- Existing or proposed Energex pole (& pole ID)
- Existing Telstra Exchange
- Existing Telstra Pits (size 2,3,4,5,6,7,8 or 9)
- Existing Telstra Manholes (Access Chambers)
- Existing Traffic Signals Box
- Existing network item to be removed/replaced
- 'C' communications marker plate

'AS CONSTRUCTED' DOCUMENTS
 The electrical contractor shall email the "as constructed" drawing, test results & closure documents to:
 • asconstructed@robus.com.au

'AS CONSTRUCTED' CERTIFICATION
 I certify as follows:
 The installation of NBN conduits and pits has been completed in accordance with this drawing & NBN specification NBN-TE-CTO-194, subject to any changes marked up in red. Mandrel testing of all conduits has been performed as detailed on the attached Mandrel Test Report.
 The minimum depths of conduits are as specified, except as marked up in red.
 signature of certifier:
 name of authorised certifier:
 date of certification:
 name of company:
 certifier's position:

CONSTRUCTION CONTACTS
ELECTRICAL ENGINEER
 ROBIN RUSSELL & ASSOCIATES PTY LTD
 ELECTRICAL DESIGNER
 NICK MAMALIS - 07 3872 5555
 COMMS CONDUIT DESIGNER
 SHANE MILLS - 07 3872 5555
 CONSTRUCTION COORDINATOR
 SHANE HYDE - 07 3872 5555
CIVIL ENGINEER
 KN GROUP PTY LTD
 STUART McDOWALL Ph: 3017 1900
SURVEYOR
 LANDPARTNERS PTY LTD
 ROBIN ANDERSON Ph: 0419 665 517
LANDSCAPE ARCHITECT
 PLACE DESIGN GROUP
 MIRANDA WILLIAMS Ph: 3852 3922

DATE	REV	REVISION	APP.	DATE	REV	REVISION	APP.	CURRENT REVISION CHANGES:
13/01/2022	A	INITIAL ISSUE	RR					
31/08/2022	B	CONDUIT REMOVED LOT 57	RR					

Robin Russell & Associates Pty. Ltd.
 CONSULTING ENGINEERS - ELECTRICAL
 204/5 Seaview Street, Shalford, QLD 4053
 Tel: (07) 3872 5556
 Fax: (07) 3872 5566
 Email: rr@robus.com.au
www.robus.com.au
 A.B.N. 78 010 589 661

COUNCIL	EDQ - BRISBANE	DESIGNED	SHANE MILLS	DESCRIPTION
COUNCIL REF	DEV2020/1099	DRAWN	SHANE MILLS	TELECOMMUNICATION
UBD REF	Map 198 Grd H8	CHECKED	K.R.	
DWT REV	V48 20210504	APPROVED BY	ROBIN RUSSELL REPO 1546	CLIENT
DATE	13/01/2022	SIGNED	<i>Robin Russell</i>	DEP OF STATE DEVELOPMENT

LOCATION **SONGBIRD - STAGE 2A**
53 SEVENTEEN MILES ROCKS RD
 OXLEY, 4075

DRAWING No. **D866-N-01B**

NBN ID REQUEST No./TELSTRA AFR SHEET No.
STG-M000095426 1 OF 1

A1

THIS DOCUMENT IS COPYRIGHT AND THE PROPERTY OF ROBIN RUSSELL & ASSOCIATES PTY LTD AND MUST NOT BE RETAINED, COPIED OR USED WITHOUT AUTHORITY.